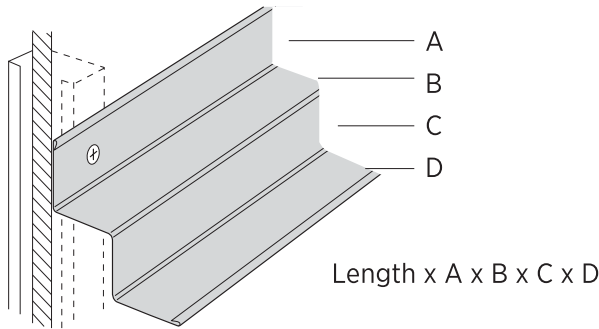


SUSPENSION SYSTEM SHADOW MOLDINGS

Shadow Molding

For creating reveals at ceiling perimeters.
Also helps to hide imperfections in drywall partitions and bulkheads.



SHADOW MOLDING
Length x A x B x C x D
(See illustration above)

Catalog Number	Description	Packaging/Ctn.		
		LF	Pcs.	Wt. (lbs.)
MS124	12'x15/16"x1/4"x5/16"x15/16" Shadow Molding (Option 1)	300	25	46
—	12'x15/16"x5/16"x1/4"x15/16" Shadow Molding (Option 2)	—	—	—
MS134	12'x9/16"x1/4"x5/16"x3/4" Shadow Molding (Option 1)	300	25	37
—	12'x3/4"x5/16"x1/4"x9/16" Shadow Molding (Option 2)	—	—	—
MS144	12'x3/4"x3/8"x1/2"x3/4" Shadow Molding (Option 1)	300	25	48
—	12'x3/4"x1/2"x3/8"x3/4" Shadow Molding (Option 2)	—	—	—
MS154 ¹	12'x7/8"x3/4"x3/4"x7/8" Shadow Molding	300	25	67
MS164	12'x3/4"x3/4"x3/4"x3/4" Shadow Molding	300	25	62
MS174 ¹	12'x7/8"x3/8"x3/8"x9/16" Shadow Molding (Option 1)	300	25	43
—	12'x9/16"x3/8"x3/8"x7/8" Shadow Molding (Option 2)	—	—	—
MS274	10'x7/8"x3/4"x9/32"x1-1/4" Shadow Molding	200	20	54

Notes

1. MS154 and MS174 available with exposed horizontal leg painted a color.